



## 3/2-way Solenoid Valve for neutral medium

- Direct acting
- With hermetic isolation of fluid
- With manual override
- Universal functions
- Electrical feedback optional

Type 0323 can be combined with...



**Type 2508**

Cable plug



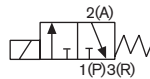
**Type 1078**

Timer control

The direct acting 3/2-way valve Type 0323 is available in different circuit functions. The solenoid actuator is separated by a double PTFE/FKM seal resp. PTFE/EPDM with a ventilated clearance from Medium. The valve is used for shut-off, dosing, filling, ventilating and distributing Medium with low pressures; also with technical Vacuum for DN 10mm.

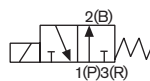
### Circuit function C

3/2-way valve, direct-acting,  
in de-energized position,  
port A exhausted



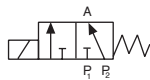
### Circuit function D

3/2-way valve, direct-acting,  
in de-energized position,  
port B pressurized



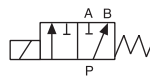
### Circuit function E

mixer valve, direct-acting,  
in de-energized position,  
P2→A open, P1 closed



### Circuit function F

distribution valve, direct-acting,  
in de-energized passage,  
P→B open



### Technical data

<b>Body material</b>	Brass
<b>Seal material</b>	NBR (EPDM or FKM on request)
<b>Medium</b>	Neutral fluids such as z.B compressed air, water, hydraulic oil, oils and fats without additives, technical vacuum
<b>Medium temperature</b>	-10 to +80 °C
<b>Ambient temperature</b>	Max +50 °C
<b>Viscosity</b>	100 to 15 mm <sup>2</sup> /s
<b>Operating voltage</b>	230 V 50 Hz 24/230 V UC other voltages on request
<b>Voltage tolerance</b>	±10 %
<b>Cycling rate</b>	Max. 100-150/min with AC Max. 6/min with UC
<b>Duty cycle</b>	100%
<b>Electrical connection</b>	Cable Plug (supplied as standard)
<b>Protection class</b>	IP65 with Cable Plug
<b>Installation</b>	As required, preferably with actuator upright
<b>Response times [ms]</b>	Measured at valve outlet with air at 6 bar and +20 °C Opening Closing
	Pressure build-up 0 to 90%, Pressure relief 100 to 10%

### Flow rate: Kv value water [m<sup>3</sup>/h]

<sup>1)</sup>Measured at +20 °C, 1 bar pressure at valve inlet and free outlet.

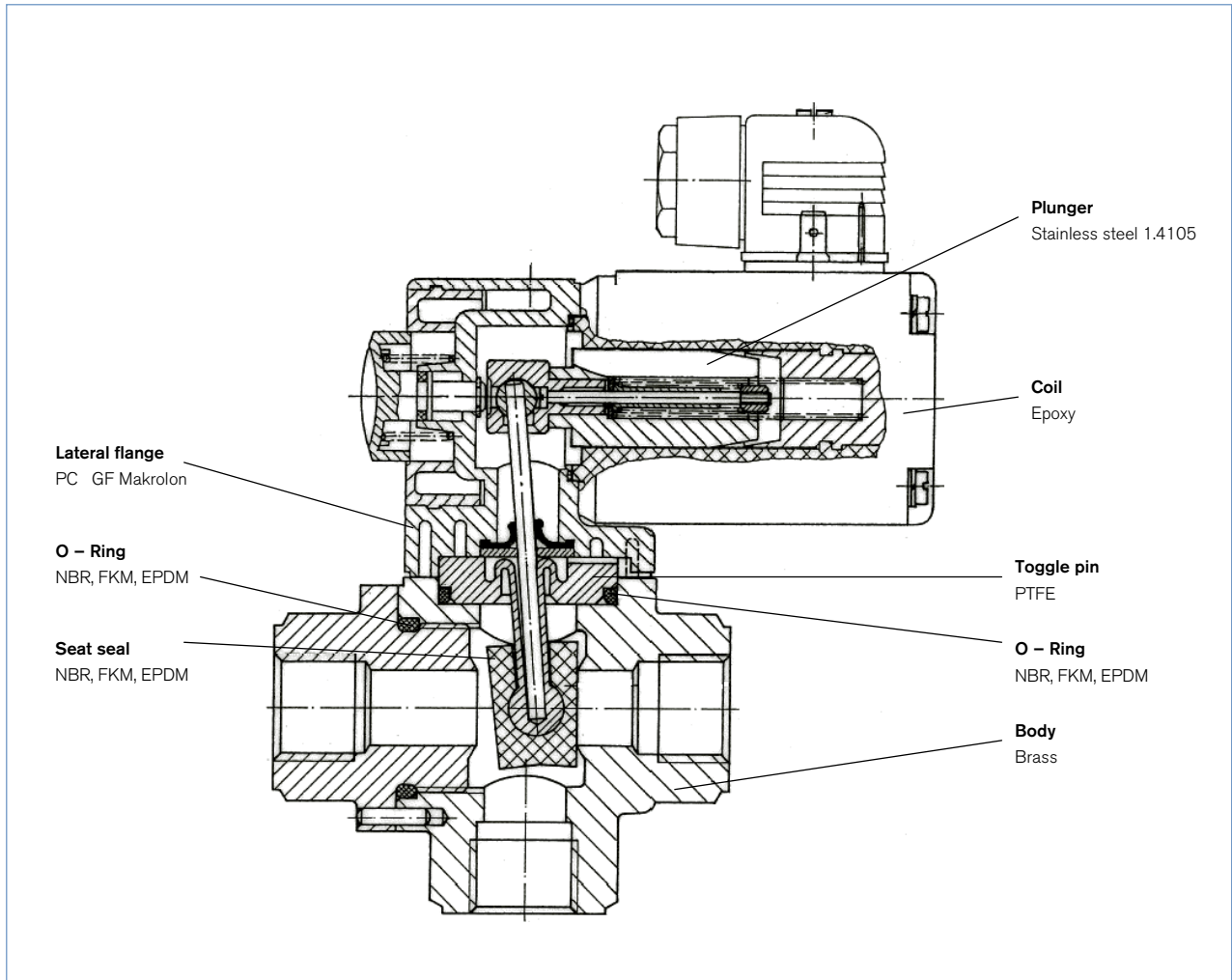
### Pressure values [bar]

Measured as overpressure to the atmospheric pressure

## Technical data (cont.)

Orifice [mm]	Kv value water [m <sup>3</sup> /h]	Port connection	Pressure range [bar]	Electr. power consumption			Response times		Weight [kg]
				Inrush	[VA]	Opening	closed		
10	2.0	G 3/8	0-1	AC UC	100 VA 100 W	48 VA (16W) 9 W	10 to 20	40 to 60	1.5
15	4.0	G 1/2	0-0.5						1.5
20	5.0	G 3/4	0-0.25						1.5

## Materials



## Ordering chart for valves (other versions on request)

All valves with manual override, brass body, NBR seal and cable plug

Circuit function	Orifice [mm]	Port connection	Kv value water [m <sup>3</sup> /h]	Pressure range [bar]	Voltage/Frequency [V/Hz]	Item no.
<b>C</b>	10.0	G 3/8	2.0	0-1	24/UC	048 997
					230/UC	059 302
	15.0	G 1/2	4.0	0-0.5	24/UC	062 737
					230/UC	062 481
	20.0	G 3/4	5.0	0-0.25	230/UC	049 470
	<b>D</b>	10.0	G 3/8	2.0	0.1	24/UC
230/UC						063 147
15.0		G 1/2	4.0	0-0.5	24/UC	021 964
<b>F</b>	10.0	G 3/8	2.0	0-1	24/UC	064 025
					230/UC	062 960
	15.0	G 1/2	4.0	0-0.5	24/UC	058 843
					230/UC	062 124
	20.0	G 3/4	5.0	0-0.25	230/UC	079 567

- Valves in circuit function E on request
- Valves with orifice 15 and 20 mm are not suitable for vacuum

### Further versions on request

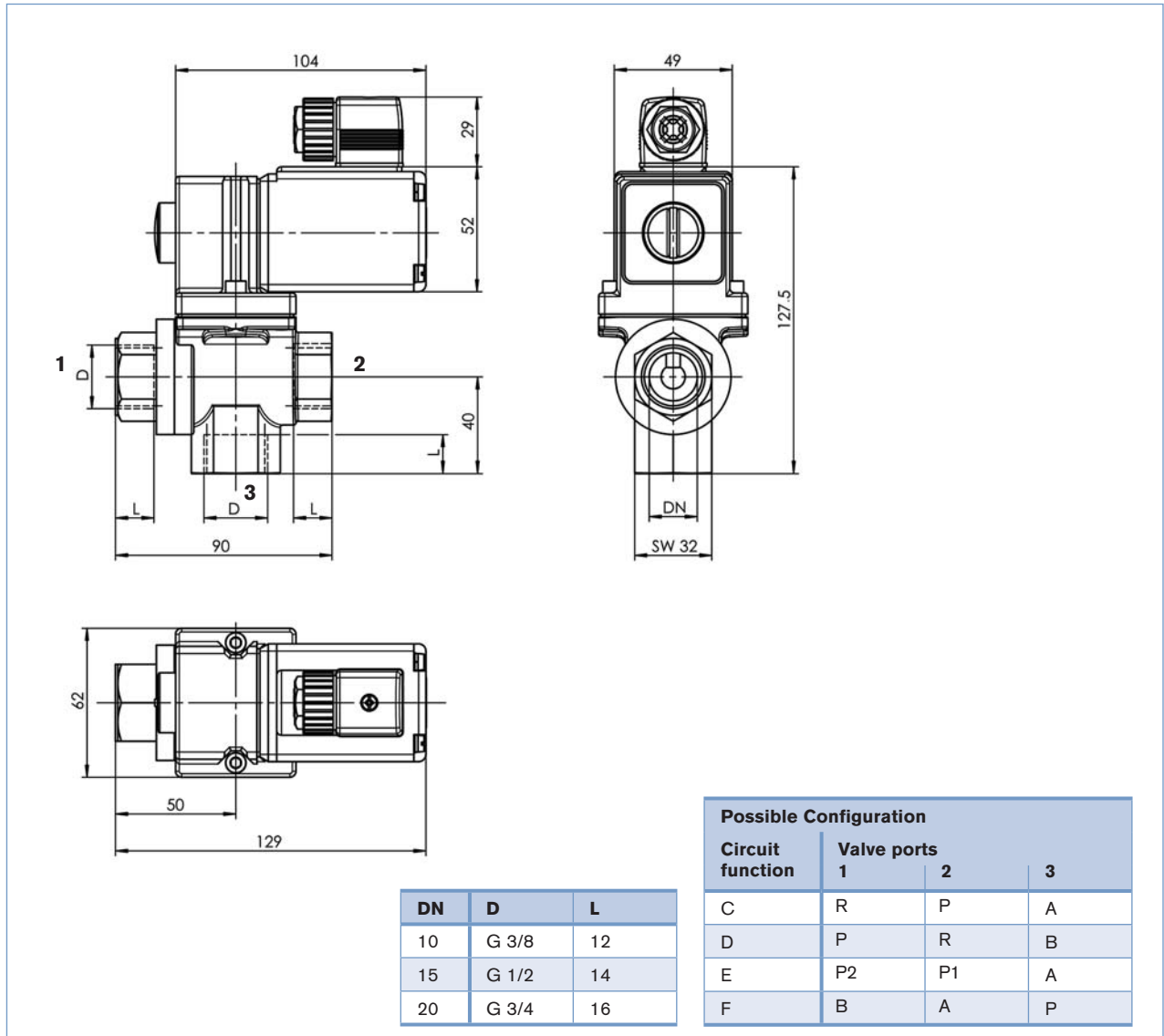


**Electrical connection**  
with electrical position feedback



**Materials**  
Other seal materials (EPDM or FKM)

## Dimensions [mm]



To find your nearest Bürkert facility, click on the orange box →

[www.burkert.com](http://www.burkert.com)