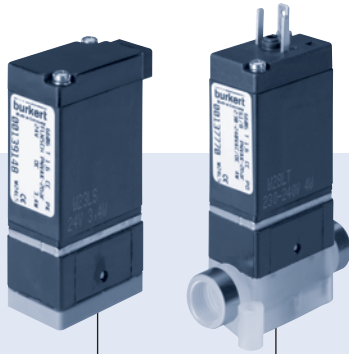


## 2/2 and 3/2-way Rocker Solenoid Valve for analytical applications

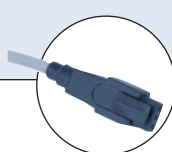


Type 6606 can be combined with...



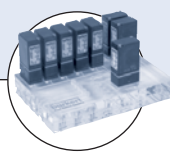
**Type 2506**

Cable plug form C



**Type 2505**

Rectangular Cable plug

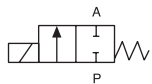


**Manifolds**

- With isolating diaphragm
- Low dead volume, low internal volume
- For aggressive media
- High back-pressure tightness
- NC, NO or universal circuit function
- Compact 16 mm design

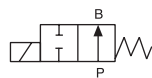
The direct-acting rocker solenoid valves with isolating diaphragm of Type 6606 (2/2- and 3/2-way) are high quality valves for analytical technology. They have minimal dead volume and internal volume with few crevices making them easy to flush out. The fluid only comes into contact with the body material and the FFKM seal. The heat transfer to the medium is minimal. The fluid path is isolated from the coil by a stainless steel plate. The valves are ideal for dosing, filling, mixing and distributing of small quantities of fluid for medical, analytical and laboratory applications.

### Circuit function A



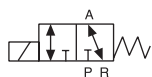
2/2-way valve, direct-acting, normally closed

### Circuit function B



2/2-way valve, direct-acting, normally open

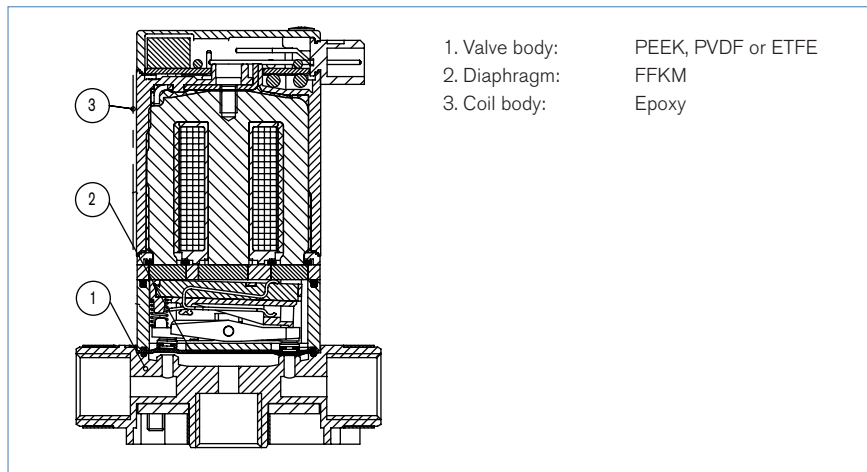
### Circuit function T



3/2-way valve, direct-acting, universal functions

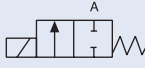
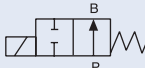
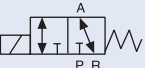
Technical data	
<b>Orifice</b>	DN 1.5 - 1.6 mm
<b>Body material</b>	PEEK, PVDF, ETFE
<b>Seal material</b>	FFKM
<b>Media</b>	Resistant to neutral and aggressive liquids and gases; see Burkert chemical resistance chart
<b>Temperature media</b>	0 to 50 °C
<b>Ambient temperature</b>	Max +55°C
<b>Internal volume</b>	Depending on body
NPT 1/8, G 1/8	85µl
Flange	68µl
Body UNF	30µl (2/2way); 55µl (3/2way)
On request	<10µl
<b>Operating voltage</b>	12 and 24V/DC ; other voltages on request
<b>Voltage tolerance</b>	± 10%
<b>Power consumption</b>	3.4 W
<b>Duty cycle</b>	100% continuous rating
<b>Electrical connection</b>	Rectangular plug, Type 2505 Spade connection acc. to DIN 43650 C for cable plug Type 2506 on top 2 FEP flying leads, AWG24, 500mm long Circular connector and spade connection at side on request
<b>Protection class</b>	IP54 with flying leads or with cable plug IP40 with rectangular plug
<b>Installation</b>	As required, preferably with actuator in upright position
<b>Response times</b>	According to ISO 12238:2001; Measured at valve outlet with air at 2 bar and +20 °C
Open	approx. 25 ms (Pressure rise 0 to 10%)
Close	approx. 25 ms (Pressure drop 100 to 90%)

## Materials



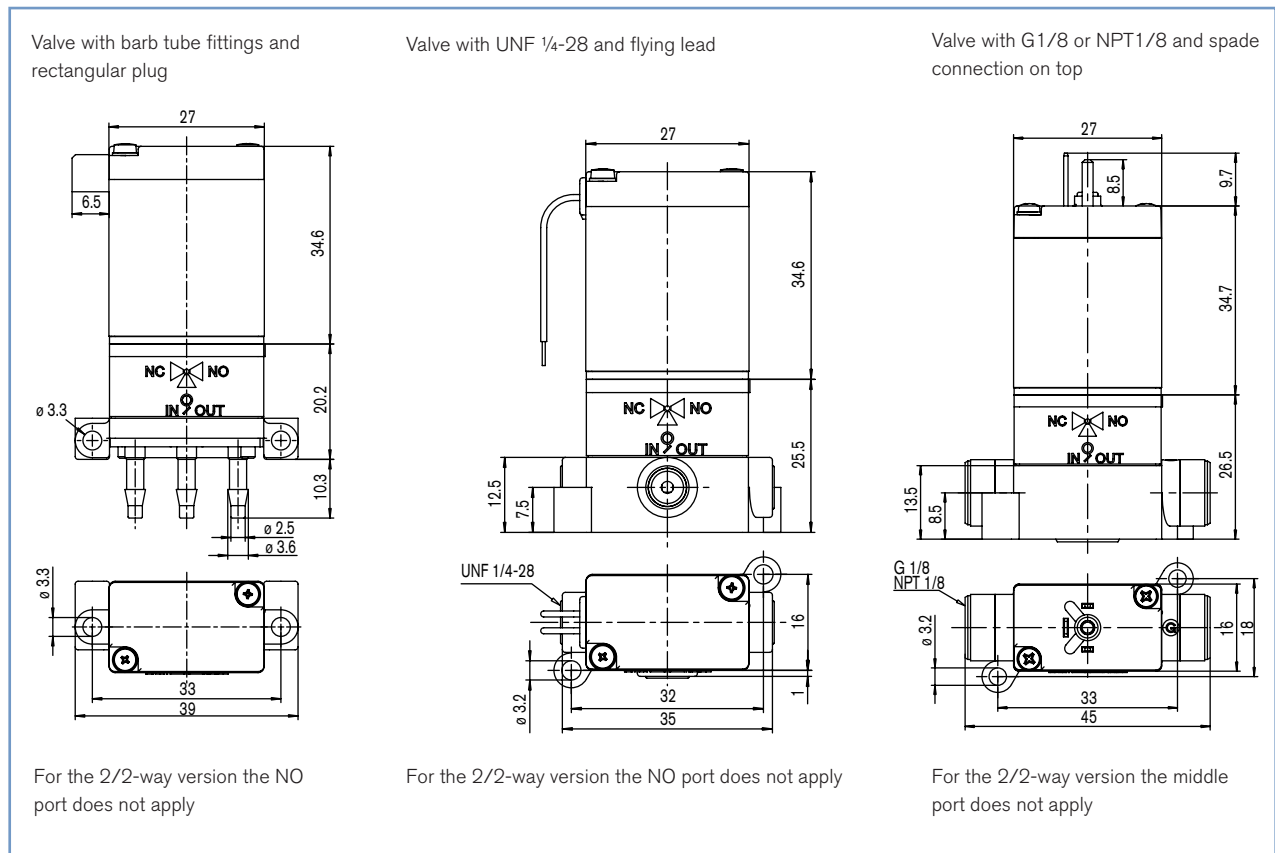
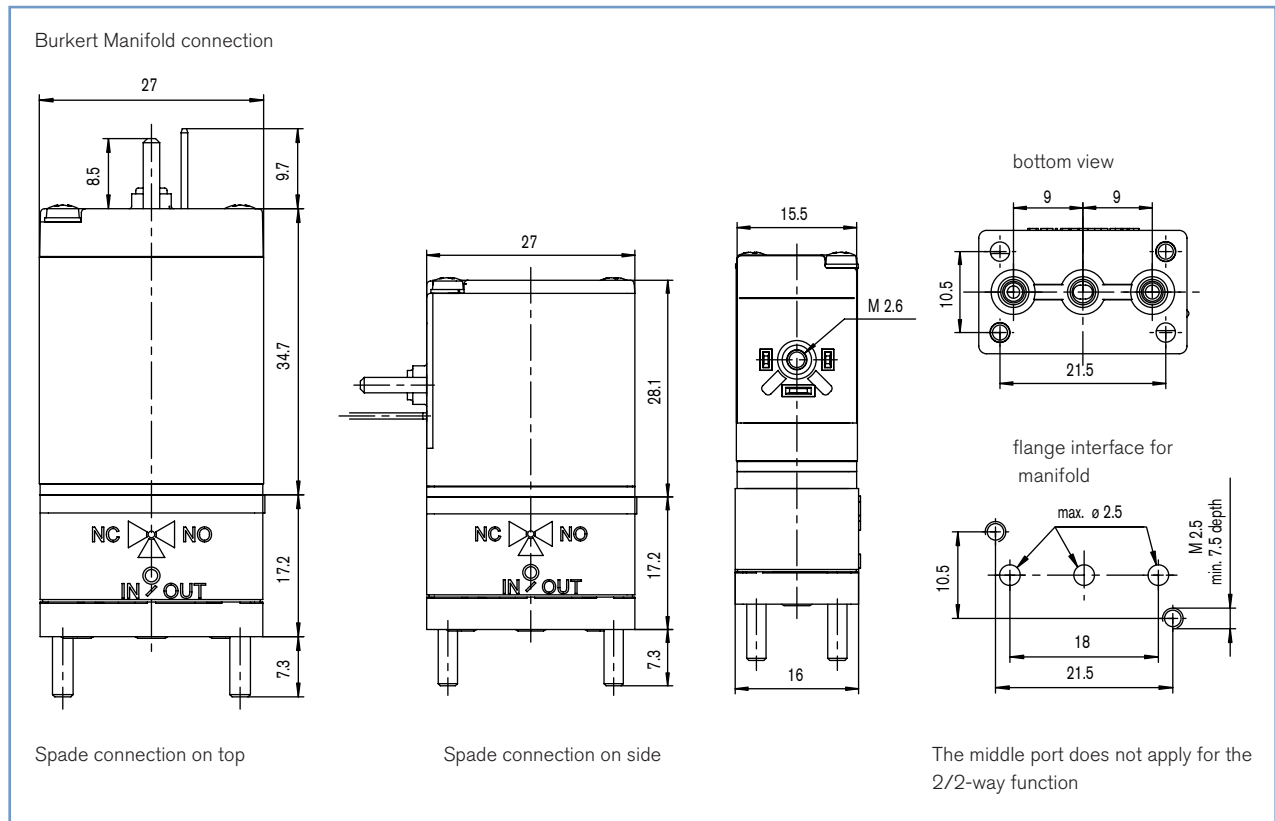
## Ordering chart for Type 6606 (other versions on request)

All valves with FFKM seal material, spade connector version without cable plug (see accessories)

Circuit function	Port connection	Ooifice [mm]	Kv value water [m <sup>3</sup> /h] <sup>1)</sup>	Kv value water [m <sup>3</sup> /h]	Qn value air [l/min]	Pressure range [bar] <sup>2)</sup>	Body material	Electrical Connection	Voltage/Frequency [V/Hz]	Item No.
 2/2-way valve direct acting Normally closed	UNF 1/4-28	1.5	0.039	0.66	42	Vac- 2	ETFE	Flying leads, 500 mm	024/DC	137 759
	G 1/8	1.6	0.060	1.02	65	Vac- 2	PVDF	Rectangular plug	024/DC	139 146
								Spade connector sideways	024/DC	137 746
	Tube connection	1.6	0.039	0.66	42	Vac- 2	PVDF	Flying leads , 500 mm	024/DC	137 764
								Rectangular plug	024/DC	139 147
	Sub-base	1.6	0.039	0.66	42	Vac- 2	PEEK	Flying leads , 500 mm	012/DC	137 744
								024/DC	137 745	
Spade connector sideways								024/DC	137 741	
 2/2-way valve direct acting Normally open	G 1/8	1.6	0.060	1.02	65	Vac- 2	PVDF	Spade connector sideways	024/DC	137 747
 3/2-way valve direct acting Universal functions	UNF 1/4-28	1.5	0.025	0.43	27	Vac- 2	ETFE	Flying leads, 500 mm	024/DC	137 779
	G 1/8	1.6	0.047	0.80	51	Vac- 2	PVDF	Flying leads, 500 mm	024/DC	137 771
								Rectangular plug	024/DC	139 149
								Spade connector sideways	024/DC	137 769
	Tube connection	1.6	0.025	0.43	27	Vac- 2	PVDF	Flying leads , 500 mm	012/DC	137 782
									024/DC	137 783
								Rectangular plug	024/DC	139 150
								Spade connector sideways	012/DC	137 781
	Sub-base	1.6	0.032	0.54	35	Vac- 2	PEEK	Flying leads , 500 mm	024/DC	137 768
								Rectangular plug	024/DC	139 148
Spade connector sideways								012/DC	137 766	
Spade connector sideways								024/DC	137 765	

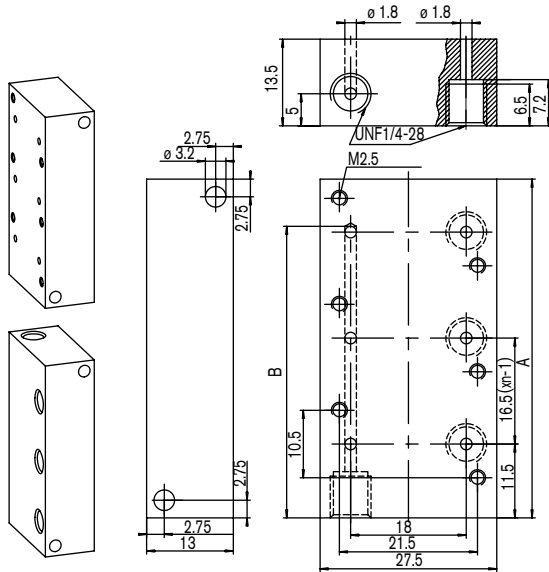
<sup>1)</sup> Measured at +20°C , 2 bar pressure at valve inlet and 1bar at outlet<sup>2)</sup> Gauge pressure with respect to the prevailing atmosphere pressure

Dimensions [mm]



## Dimensions of multiple manifolds [mm]

Standard divider/collector; one common inlet/outlet, individual outlets/inlets (all UNF 1/4-28), shipment without valves; Material PEEK



### Ordering chart for Type 6606 manifolds



Stations	Dimension A [mm]	Item no.
2 valves	36.25	651 506
3 valves	52.75	651 510
4 valves	69.25	651 507
5 valves	85.75	651 508
6 valves	102.25	651 509
7 valves	118.75	651 521
8 valves	135.25	651 522

### **i** Further versions on request

**>** Additional fittings and hoses (also see Type 1013-AA 05)

### Ordering chart for accessory

Cable plug Type 2506 acc. to DIN EN 175301-803 Form C, with flat seal and fixing screw, without cable

	<b>Cable plug Type 2506</b>	<b>Voltage</b>	<b>Item no.</b>
	Standard without circuitry	0-250V/UC	008 353
	With LED	12-24V/DC	008 402
	With LED and varistor	12-24V/DC	008 408
	With rectifier, LED and varistor	12-24V/UC	008 354
	<b>Rectangular cable plug Type 2505</b>	<b>Item no.</b>	
	With 3m cable	133 486	
	With 300 mm flying leads	644 068	
	With 2 single contacts	644 067	

To find your nearest Bürkert facility, click on the orange box →

[www.burkert.com](http://www.burkert.com)

In case of special application conditions, please consult for advice.

We reserve the right to make technical changes without notice.

0709/2\_EU-en\_00891769