

2/2-way valves DN 15 to 150

For neutral gases and liquids
 Pressure actuated by external fluid
 Diaphragm valves
 Flange connection PN 16 / PN 10
 Operating pressure 0 to 10 bar

83380

Description (standard valve)

Valve for high-viscosity and contaminated media

Switching function: normally closed
 closed by spring force,
 opened by pilot pressure

Flow direction: as required

Mounting position: as required

Process fluid characteristics / Valve material

Fluid temperature: -10 °C up to max. +80 °C
 Ambient temperature: -10 °C up to max. +55 °C
 Body: Grey cast iron
 Seat seal: EPDM



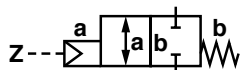
Pilot fluid characteristics / Actuator material

Pilot fluid: air
 Fluid temperature: max. +40 °C
 Body: Polymer material
 Seal: NBR
 Internal parts: Coated steel

Features

- Any flow direction and mounting position
- Special seal materials are required for use with oil and oleiferous media

Symbol



Ordering information

To order, quote model number from table overleaf, e. g. 8338400.0000 for a DN 25 valve.

Characteristic Data

Valves

Part Number ◊	Nominal Diameter (mm)	Pilot Pressure		Operating Pressure *		k _v -value ** (Base m ³ /h)	Weight Total (kg)
		min. (bar)	max. (bar)	min. (bar)	max. (bar)		
8338200.0000	15	5.5	7	0	10	7.0	3.1
8338300.0000	20	5.5	7	0	10	14.0	3.7
8338400.0000	25	5.5	7	0	10	20.0	4.2
8338500.0000	32	5.5	7	0	10	37.0	7.7
8338600.0000	40	5.5	7	0	10	40.0	8.2
8338700.0000	50	5.5	7	0	10	82.0	13.7
8338800.0000	65	4.5	7	0	6	102.0	26.0
8338900.0000	80	5.5	7	0	8	165.0	30.0
8339000.0000	100	5.5	7	0	6	241.0	48.0
8339100.0000	125	5.5	7	0	8	378.0	91.0
8339200.0000	150	5.5	7	0	6	496.0	104.0

* for gases and liquid fluids up to 400 mm²/s (cSt)

State voltage [V] and frequency [Hz]

** C_v-value (US) ≈ k_v-value x 1.2

◊ Note: **0000** without pilot valve

An electrical solenoid valve can be attach at the pilot connection Z.

Required Parts DN 15 up to DN 50	Part Number
1 pcs. 3/2 way solenoid valve	8466000.9101 DC / AC

Required Parts DN 65 up to DN 150	Part Number
1 pcs. 3/2 way solenoid valve for gases fluids	8020750.0201
1 pcs. 3/2 way solenoid valve for liquid fluids	2401103.0801
1 St. connection complete	0562610.0000

Notes

for 3/2-way pilot valve 84660 / 84680

Material body brass

Pilot fluid temperature max. +60 °C

Pilot pressure: 1 – 10 bar

Standard voltages: 24 V DC, 24 V AC, 230 V AC

Electrical Data

for 3/2-way pilot valve 84660 / 84680

Design acc. to DIN VDE 0580

Voltage range ±10 %

Duty cycle (ED) 100 %

Protection class to EN 60529 IP65 with mounted Socket

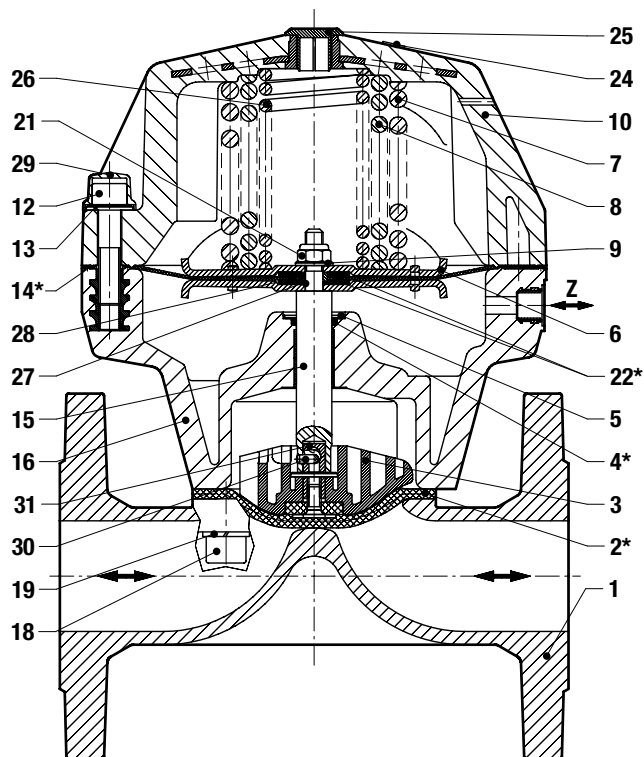
Socket acc. to DIN EN 175301-803A

Further Options (Valves)

XXXXX01.XXXX	Normally open Pilot pressure DN 15 – DN 50 1 up to max. 5.5 bar Pilot pressure DN 65 – DN 150 6 up to 7 bar
XXXXX03.XXXX	Seat seal FPM
XXXXX06.XXXX	Seat seal PTFE
XXXXX50.XXXX	Body EN-GSJ-400-18-LT (Spheroidal cast iron), PFA lined, seals PTFE, operating pressure 0 to 6 bar
XXXXX57.XXXX	Electrical position indicator AC / DC
XXXXX58.XXXX	Electrical position indicator only DC max. 30 V
XXXXX64.XXXX	Electrical position indicator EEx de IIC T6
On request	Further versions

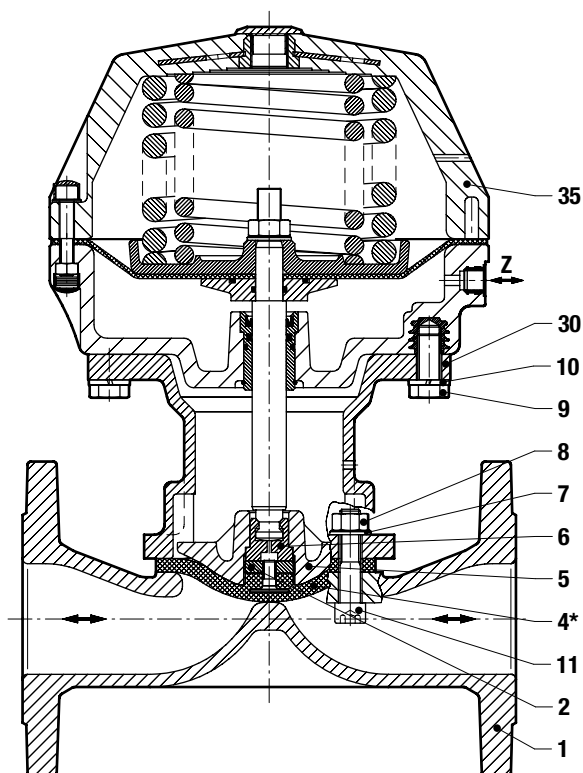
Section View

to DN 15



- 1 Valve body
- *2 Diaphragm
- 3 Compression piece
- *4 Quad ring
- *5 Lock washer
- 6 Diaphragm disk
- 7 Pressure spring
- 8 Pressure spring
- 9 Washer
- 10 Upper valve body
- 12 Screw
- 13 Washer
- *14 Diaphragm
- 15 Spindle
- 16 Lower valve body
- 18 Screw
- 19 Spring washer
- 21 Uni-stop-nut
- *22 Gasket
- 24 Identification plate
- 25 Plug
- 26 Pressure spring
- 27 O-ring
- 28 Spacer
- 29 Cover
- 30 Dowel pin
- 31 Plunger

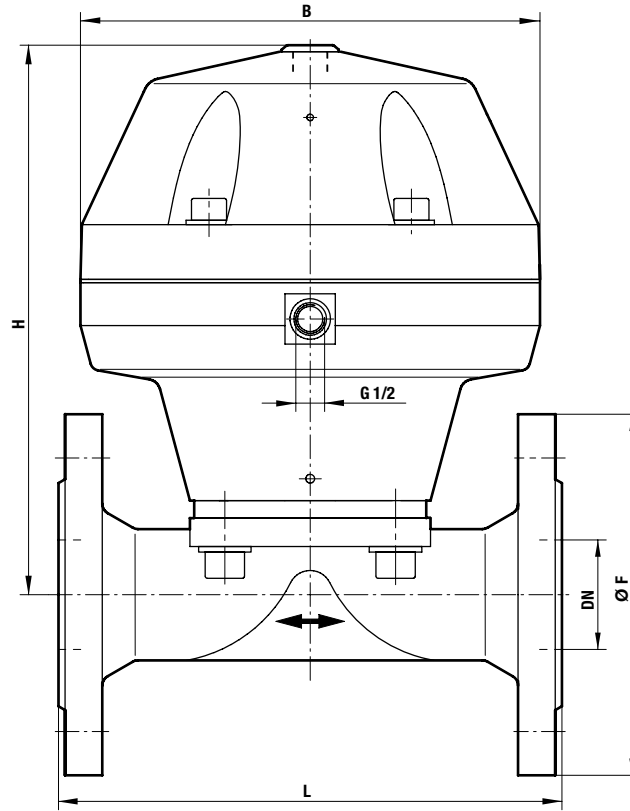
up to DN 65



- 1 Valve body
- 2 Clamping nut
- *4 Diaphragm
- 5 Compression piece
- 6 Half-shell
- 7 Spring washer
- 8 Nut
- 9 Hexagon screw
- 10 Spring washer
- 11 Allen head screw
- 30 Adapter
- 35 Valve head assembly

* These individual parts form a complete wearing unit.
 When ordering spare parts please state Cat. No. and Series No.

General Dimensions



Part Number	Nominal Diameter (mm)	L (mm)	B* (mm)	H (mm)	Ø F (mm)
8338200.0000	15	130	125	148	95
8338300.0000	20	150	125	148	105
8338400.0000	25	160	125	148	115
8338500.0000	32	180	155	203	140
8338600.0000	40	200	155	203	150
8338700.0000	50	230	210	248	165
8338800.0000	65	290	256	329	185
8338900.0000	80	310	256	339	200
8339000.0000	100	350	256	354	220
8339100.0000	125	400	360	519	250
8339200.0000	150	480	360	514	285

* B = max. width

Note to Pressure Equipment Directive (PED):

The valves of this series, including the connection size DN 25 (G 1), are according to Art. 3 § 3 of the Pressure Equipment Directive (PED) 97/23/EG. This means interpretation and production are in accordance to engineers practice wellknown in the member countries.

The CE-sign at the valve refers not to the PED. Thus the declaration of conformity is not longer applicable for this directive.

For valves > DN 25 (G 1) Art. 3 § (1) No.1.4 applies.

The basic requirements of the Enclosure I of the PED must be fulfilled.

The CE-sign at the valve includes the PED. A certificate of conformity of this directive will be available on request.

Note to Electromagnetic Compatibility Guideline (EEC):

The valves shall be provided with an electrical circuit which ensures the limits of the harmonised standards EN 61000-6-3 and EN 61000-6-1 are observed, and hence the requirements of the Electromagnetic Compatibility Guideline (2004/108/EG) satisfied.