

2/2-way valves DN 15 to DN 25

For neutral gases and liquids

Pressure actuated by external fluid

Seat valves

Internal threads G 1/2 to G 1 or 1/2 NPT to 1 NPT

Operating pressure see table

84720

84730

Description (standard valve)

Switching function:	normally closed
Flow direction:	fixed
Mounting position:	optional

Flow fluid range

Fluid temperature:	-10 °C up to max. +180 °C
Ambient temperature:	-10 °C up to max. +60 °C
Material body:	dezincification brass (CW602N)
Seat seal:	PTFE
Internal parts:	Brass, Stainless steel
Spindle sealing:	PTFE / FPM, self-adjustable

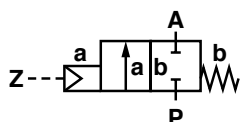
Pilot fluid range

Pilot connection:	G 1/4 resp. 1/4 NPT
Pilot fluid:	neutral gases
Fluid temperature:	max. +60 °C
Material body:	Polyamid 66 with glass fibre 30 %
Seat seals:	NBR
Internal parts:	brass, stainless steel

Features

- Optical position indicator is standard
- Damped closing (Valves closes against flow direction)
- Suitable for contaminated flow fluid
- Suitable for vacuum up to max. 90 %
- Reversed flow direction optional
- High flow rate
- Option pressure actuated by external liquid fluid

Symbol



Ordering information

To order, quote model number from table overleaf, e.g. 8472400.0000 for a DN 25 valve.



Characteristic data

Valves

Part Number Solenoid with ~	Nominal Diameter (mm)	Connection size	Pilot pressure		Operating pressure *		k _v -value ** (Base m ³ /h)	Weight *** (kg)
			min. (bar)	max. (bar)	min. (bar)	max. (bar)		
8472200.0000 8473200.0000	15	G 1/2 1/2 NPT	3.5	10	0	16	4.8	1.3
8472300.0000 8473300.0000	20	G 3/4 3/4 NPT	3.5	10	0	8	10.0	1.4
8472400.0000 8473400.0000	25	G 1 1 NPT	3.5	10	0	5	14.0	1.7

* for gases and liquid fluids up to 600 mm²/s (cSt)

State voltage [V] and frequency [Hz]

** C_v-value (US) ≈ k_v-value x 1.2

*** without pilot valve

Notes

for 3/2-way pilot valve 84660/84680

Material body brass 2.0402

Pilot fluid temperature max. +60 °C

Pilot pressure: 1 - 10 bar

Standard voltages: 24 V DC, 24 V AC, 230 V AC

Electrical Data

for 3/2-way pilot valve 84660 / 84680

Technical data see publication D111402

Design acc. to DIN VDE 0580

Voltage range ± 10 %

Duty cycle (ED) 100 %

Protection class to EN 60529 IP65 with mounted Socket

Socket acc. to DIN EN 175301-803 (included)

Notes for 3/2-way pilot valve 97100

hole pattern NAMUR

Material body aluminium elox

Pilot fluid temperature -10 °C to +50 °C

Pilot pressure: 2 - 8 bar

Standard voltages 24 V DC, 24 V AC, 230 V AC

Data

for 3/2-way pilot valve 97100

hole pattern NAMUR

Technical data see publication 7503389.XX.XX.XXXX

Design acc. to DIN VDE 0580

Voltage range ± 10 %

Duty cycle (ED) 100 %

Protection class to EN 60529 IP65 with mounted Socket

Socket acc. to DIN EN 175301-803 (included)

Further Options (Valves)

XXXXX01.XXXX Normally open,
closes with pilot pressure and opens with spring
force (pilot pressure 1–10 bar)

XXXXX08.XXXX Double acting;
4/2 or 5/2-way-pilot valve required

XXXXX23.XXXX Double electrical position indicator
with micro switches

XXXXX50.XXXX NAMUR interface plate

On request

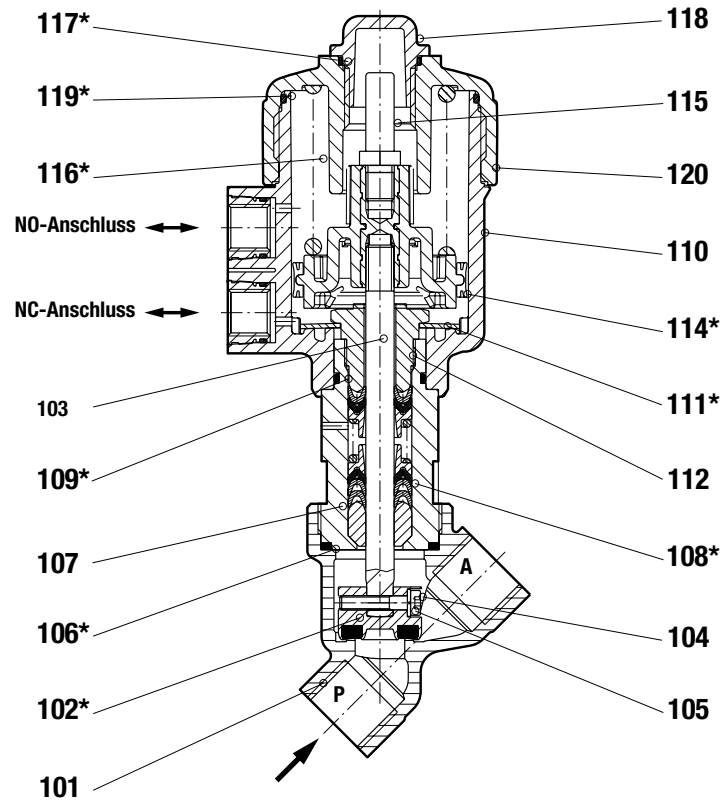
- several seals: NBR, FPM, EPDM
- stroke limiter
- silencer
- electrical position indicator
with magnet inductive operated

Mounting accessories (NAMUR)

Interface plate NAMUR hole pattern for retrofit,
(part number 1256566) consist of:

- 1x NAMUR interface plate
- 2x Adapter screw
- 2x O-ring

Section View

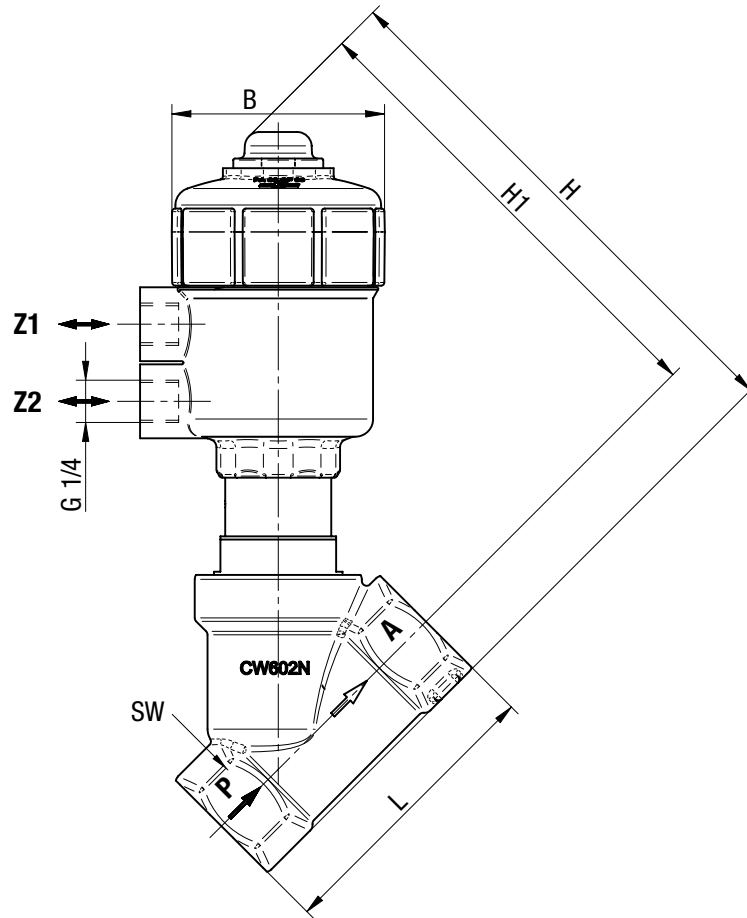


- 101 Valve body
- * 102 Valve plate
- 103 Valve spindle, complete
- 104 Cheese head cap screw
- 105 Spring washer
- * 106 Seal ring
- 107 Screw piece
- * 108 Seal packing
- * 109 O-ring
- 110 Control head housing cover, bottom part
- * 111 Cup spring
- 112 Screw piece
- * 114 Cylinder packing
- 115 Signal pin
- * 116 Pressure spring
- * 117 O-ring
- 118 Cover cap
- * 119 O-ring
- 120 Control head housing cover

* These individual parts form a complete wearing unit.
When ordering spare parts please state Cat No and Series No.

General Dimensions

Solenoid rotatable 360°
 Socket turnable 4 x 90°
 (Socket included)



Part Number	Nominal Diameter (mm)	Connection size	L (mm)	B (mm)	H (mm)	H 1 (mm)	SW (mm)
8472200.0000 8473200.0000	15	G 1/2 1/2 NPT	65	66	154	140.5	27
8472300.0000 8473300.0000	20	G 3/4 3/4 NPT	75	66	160	144.5	32
8472400.0000 8473400.0000	25	G 1 1 NPT	90	66	171	150.5	41

Note to Pressure Equipment Directive (PED):

The valves of this series, including the connection size DN 25 (G 1), are according to Art. 3 § 3 of the Pressure Equipment Directive (PED) 97/23/EG. This means interpretation and production are in accordance to engineers practice wellknown in the member countries.

The CE-sign at the valve refers not to the PED. Thus the declaration of conformity is not longer applicable for this directive.

For valves > DN 25 (G 1) Art. 3 § (1) No.1.4 applies.

The basic requirements of the Enclosure I of the PED must be fulfilled. The CE-sign at the valve includes the PED. A certificate of conformity of this directive will be available on request.

Note to Electromagnetic Compatibility Guideline (EEC):

The valves shall be provided with an electrical circuit which ensures the limits of the harmonised standards EN 61000-6-3 and EN 61000-6-1 are observed, and hence the requirements of the Electromagnetic Compatibility Guideline (2004/108/EG) satisfield.