



SUPERIOR
RESISTANCE
AGAINST
CORROSION,
DUST and
HUMIDITY

PVB SERIES

Ø32- Ø63 (Undetachable Type)
Ø80- Ø100 (Screw Type)

DOUBLE ACTING, MAGNETIC and
CUSHIONING CYLINDER



- Especially used in food-packaging and textile industries.
- Corrosion-resistant body equipment provides high resistance against corrosive substances.
- Offers longer lifetime and operates quietly with adjustable cushioning.

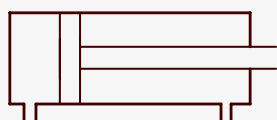




PVB SERIES

Ø32 - Ø63

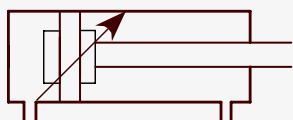
DOUBLE ACTING, MAGNETIC and CUSHIONING CYLINDER



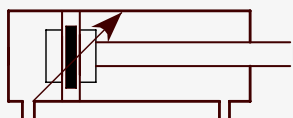
PVB
DOUBLE ACTING
CYLINDER



PVB-A
DOUBLE ACTING and
MAGNETIC CYLINDER



PVB-Y
DOUBLE ACTING and
CUSHIONING CYLINDER



PVB-YA
DOUBLE ACTING,
CUSHIONING and
MAGNETIC CYLINDER

WORK CONDITIONS

Working Fluid:

Filtered and lubricated or filtered and not lubricated air

Operating Temperature Range:

Polyurethane (PU) : (-20°C) - (+80°C)
Viton (FKM) : (-30°C) - (+150°C)

Max. Work Pressure:

10 Bar

- UNDETACHABLE TYPE DESIGN
- LONG WORKING LIFE THANKS TO STAINLESS TUBE AND ANODIZED COATED CAPS
- HIGH RESISTANCE AGAINST CORROSION
- ADJUSTABLE CUSHIONING PROVIDES SILENT OPERATION

FORCE

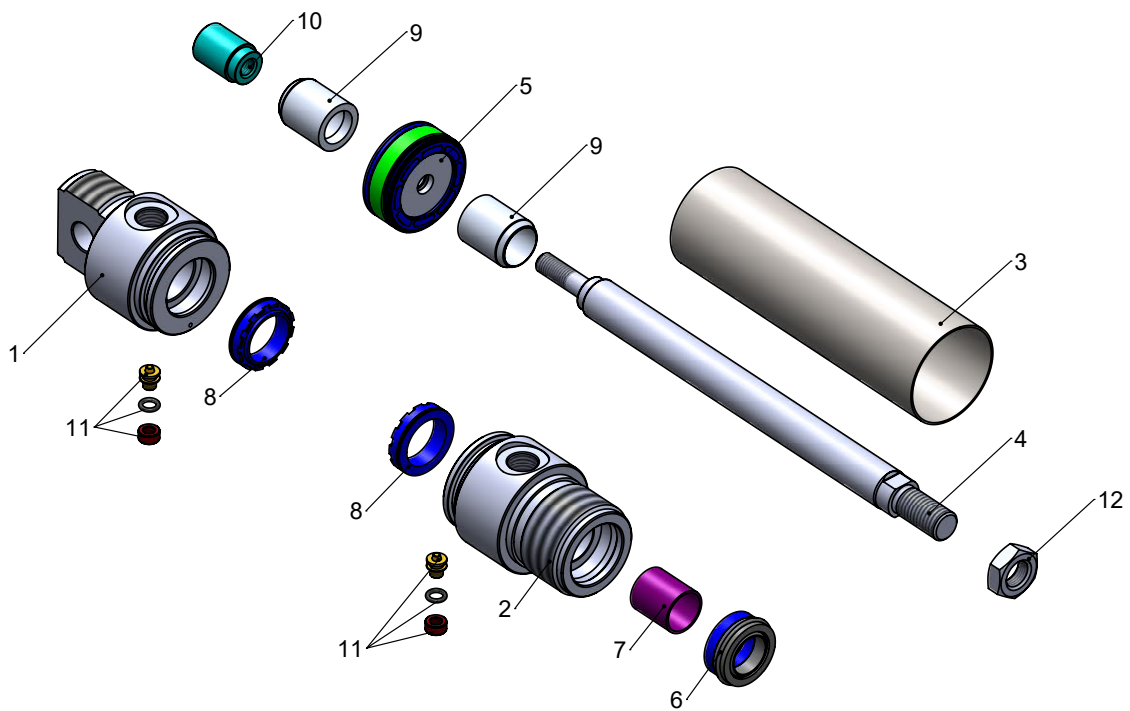
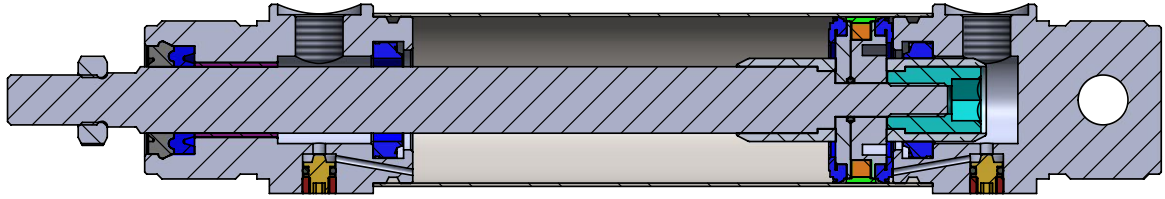
Cylinder Ø mm	Rod Ø mm	Thrust and traction forces (6 Bar)	
		Thrust force (N)	Traction force (N)
32	12	482	415
40	16	754	633
50	20	1178	990
63	20	1870	1682

NON-STANDARD VARIATIONS

- R1: Stainless Steel Piston Rod (AISI 304, AISI 316)
- R4: Stainless Steel Nut for Piston Rod (AISI 304)
- R5: Piston Rod as CK45 (Hard Chrome Plated)
- M1: Extended Male Piston Rod Thread
- M2: Female Piston Rod Thread
- M3: Special Piston Rod Thread
- M4: Extended Piston Rod
- K1: Seals 150°C (Viton)
- K2: Piston Rod Seal NBR+PA
- K3: Seals NBR
- K4: Piston Rod Seal Viton

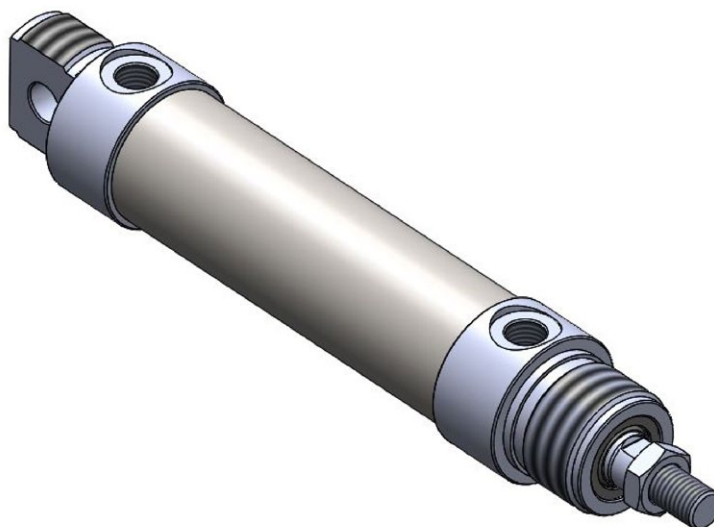
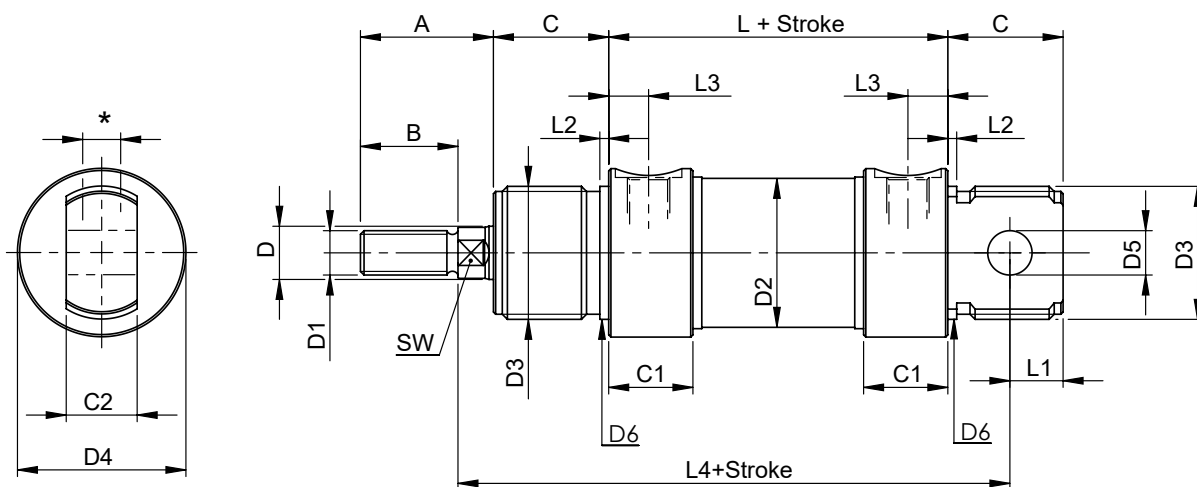
EXAMPLE OF ORDER

PVB-YA 050 - 0100 K1
 Product code Cylinder Ø Stroke Non-Standard variations



No	Material name	Characteristic	Pc
1	Rear Head	6082 Al+Eloxal Plated	1
2	Front Head	6082 Al+Eloxal Plated	1
3	Tube	AISI 304	1
4	Rod	X20Cr13 Hard Chrome Plated	1
5	Middle Piston	PU+Al+Pom+NBR+Magnet	1
6	Rod Seal	PU+HYTREL	1
7	Guiding Bush	CSB-40	1
8	Cushioning Seal	PU	2
9	Cushioning Tube	Polyacetal	2
10	Cushioning Fem.Thread	Galvanized Steel	1
11	Cushioning Screw	AISI 303+NBR+Brass	2
12	Nut	Galvanized Steel	1

Note: Part 8, 9, 10, 11 is available in the products with PVB-Y and PVB-YA.



Cylinder Ø mm	A	B	C	C1	C2	D Ø	D1	D2 Ø	D3	D4 Ø	D5 Ø	D6 Ø	L	L1	L2	L3	L4	SW	*
32	30	22	26	19	16	12	M10x1.25	33.6	M30x1.5	38	10	30	69.5	12	2	9	117.5	10	G1/8"
40	33	24	30	25	18	16	M12x1.25	41.6	M38x1.5	46	12	38	84.6	14	3	12	139.6	13	G1/4"
50	43	32	33	25	21	20	M16x1.5	52.4	M45x1.5	57	16	45	86.2	16	3	12	147.2	17	G1/4"
63	44	32	33	28	21	20	M16x1.5	65.4	M45x1.5	70	16	45	94.2	16	3	13	156.2	17	G3/8"